

# CRANE

## Spare part list DEPA Air Operated Diaphragm Pumps Series M

Date: 12th Sep. 2006

Type: DB25-50-CA/SA

Drawing-No.: 03-1100-1016

Position Item	Description	Baugröße Size	Type	Stück No. Req.	Bestell-Nr. Order-No.
25.01	Air valve, internal	25/40	DB	1	250108---
50.01	Air valve, internal	50	DB	1	500108---
25.02	Center block, assy.	25	DB	1	250303---
40.02	Center block, assy.	40	DB	1	400303---
50.02	Center block, assy.	50	DB	1	500303---
25.09	Hex. Screw, SS	25	All	4	900150211
25.10	Base frame	25	All	2	251901-11
40.10	Base frame	40	All	2	401902-11
50.10	Base frame	50	All	2	501902-11
25.11	Rubber foot	25/40	All	4	251909-45
50.11	Rubber foot	50	All	4	501909-45
25.13	Gasket, Plug - on request	25/50	CA	2	922000153
25.14C	Suction manifold, GGG 40	25	CA	1	251510-32
25.14S	Suction manifold, SS 316L	25	SA	1	251510-35
40.14C	Suction manifold, GGG 40	40	CA	1	401510-32
40.14S	Suction manifold, SS 316L	40	SA	1	401510-35
50.14C	Suction manifold, GGG 40	50	CA	1	501510-32
50.14S	Suction manifold, SS 316L	50	SA	1	501510-35
40.15	Rd.hd.bolt, SS	40	All	4	900400311
50.15	Rd.hd.bolt, SS	50	All	4	900400511
40.18	Nut, SS	40	All	4	901000111
50.18	Nut, SS	50	All	4	901000211
25.19C	Pump chamber, GGG 40	25	DB-CA	2	251506-32
25.19S	Pump chamber, SS 316L	25	DB-SA	2	251507-35
40.19C	Pump chamber, GGG 40	40	DB-CA	2	401506-32
40.19S	Pump chamber, SS 316L	40	DB-SA	2	401507-35
50.19C	Pump chamber, GGG 40	50	DB-CA	2	501506-32
50.19S	Pump chamber, SS 316L	50	DB-SA	2	501507-35
25.20	Plug, SS - on request	25/50	CA	2	905101-13
25.21C	Discharge manifold, GGG 40	25	CA	1	251512-32
25.21S	Discharge manifold, SS 316L	25	SA	1	251512-35
40.21C	Discharge manifold, GGG 40	40	CA	1	401512-32
40.21S	Discharge manifold, SS 316L	40	SA	1	401512-35
50.21C	Discharge manifold, GGG 40	50	CA	1	501512-32
50.21S	Discharge manifold, SS 316L	50	SA	1	501512-35
25.23	Hex. screw, SS	25	All	4	900150111
40.23	Hex. screw, SS	40	All	8	900151111
50.23	Hex. screw, SS	50	All	8	900110311
25.24	Washer, SS	25	All	8	902001311
40.24	Washer, SS	40	All	8	902001411

# CRANE

## Spare part list DEPA Air Operated Diaphragm Pumps Series M

Date: 12th Sep. 2006

Type: DB25-50-CA/SA

Drawing-No.: 03-1100-1016

Position Item	Description	Baugröße Size	Type	Stück No. Req.	Bestell-Nr. Order-No.
50.24	Washer, SS	50	All	8	902001111
25.25	Nut, SS	25	All	8	901000311
40.25	Nut, SS	40	All	8	901000111
50.25	Nut, SS	50	All	8	901000211
30.26	Lock washer	25	All	8	902200111
40.26	Lock washer	40	All	8	902200211
50.26	Lock washer	50	All	8	902200311
25.30N	Diaphragm, NBR-el.cond.	25	All	2	251801-4B
25.30E	Diaphragm, EPDM-el.cond.	25	All	2	251801-42
25.30F	Diaphragm, FKM	25	All	2	251801-44
25.30B	Diaphragm, NRS	25	All	2	251803-45
25.30TR	Diaphragm, PTFE/Back up	25	All	2	250180165
40.30N	Diaphragm, NBR-el.cond.	40	All	2	401801-4B
40.30E	Diaphragm, EPDM-el.cond.	40	All	2	401801-42
40.30F	Diaphragm, FKM	40	All	2	401801-44
40.30B	Diaphragm, NRS	40	All	2	401803-45
40.30TR	Diaphragm, PTFE/Back up	40	All	2	400180165
50.30N	Diaphragm, NBR-el.cond.	50	All	2	501801-4B
50.30E	Diaphragm, EPDM-el.cond.	50	All	2	501801-42
50.30F	Diaphragm, FKM	50	All	2	501801-44
50.30B	Diaphragm, NRS	50	All	2	501803-45
50.30TR	Diaphragm, PTFE/Back up	50	All	2	500180165
25.31H	Valve seat, SS, with FEP 2 O-rings	25	All	4	250180511
40.31H	Valve seat, SS, with FEP 2 O-rings	40	All	4	400180511
50.31H	Valve seat, SS, with FEP 2 O-rings	50	All	4	500180511
25.32Y	Valve ball, NBR-core	25	All	4	251811-81
25.32W	Valve ball, EPDM-core	25	All	4	251811-82
25.32V	Valve, ball, NRS-core	25	All	4	251811-85
25.32Z	Valve ball, PTFE-core	25	All	4	251810-66
40.32Y	Valve ball, NBR-core	40	All	4	401811-81
40.32W	Valve ball, EPDM-core	40	All	4	401811-82
40.32V	Valve ball, NRS-core	40	All	4	401811-85
40.32Z	Valve ball, PTFE-core	40	All	4	401810-66
50.32Y	Valve ball, NBR-core	50	All	4	501811-81
50.32W	Valve ball, EPDM-core	50	All	4	501811-82
50.32V	Valve ball, NRS-core	50	All	4	501811-85
50.32Z	Valve ball, PTFE-core	50	All	4	501810-66
25.41	Washer-shaft	25/40	All	2	902000405
50.41	Washer-shaft	50	All	2	902000505
25.45	Shaft	25	All	1	251207-10

# CRANE

## Spare part list DEPA Air Operated Diaphragm Pumps Series M

Date: 12th Sep. 2006

Type: DB25-50-CA/SA

Drawing-No.: 03-1100-1016

Position Item	Description	Baugröße Size	Type	Stück No. Req.	Bestell-Nr. Order-No.
40.45	Shaft	40	All	1	401207-10
50.45	Shaft	50	All	1	501207-10
25.46	Piston, inner	25	DB	2	251208-07
40.46	Piston, inner	40	DB	2	401208-07
50.46	Piston, inner	50	DB	2	501208-07
25.47	Piston, outer, SS 316L	25	DB	2	251219-13
40.47	Piston, outer, SS 316L	40	DB	2	401221-11BG
50.47	Piston, outer, SS 316L	50	DB	2	501221-11BG
25.50	Center block, Alu	25	DB	1	251253-30
25.50	Center block, Alu	40	DB	1	401253-30
50.50	Center block, Alu	50	DB	1	501253-30
25.51	Gasket	25/40	DB	2	921000175
50.51	Gasket	50	DB	2	921000275
25.52	Center block cover	25/40	DB	2	251313-11
50.52	Center block cover	50	DB	2	501313-11
25.61H	O-ring FEP f. Valve seat VA	25	All	8	920202-79
40.61H	O-ring FEP f. Valve seat VA	40	All	8	920203-79
50.61H	O-ring FEP f. Valve seat VA	50	All	8	920204-79
25.64	Shaft bearing	25/40	All	2	251206-64
50.64	Shaft bearing	50	All	2	501206-64
25.65	Sealing/O-ring	25/40	All	1	250106---
50.65	Sealing/O-ring	50	All	1	500106---
25.66	Intermediate piece	25/40	DB	1	252007-11
50.66	Intermediate piece	50	DB	1	502007-11
25.681	Gasket, Air filter	25/40	All	1	922010171
50.681	Gasket, Air filter	50	All	1	922010271
25.70	High speed muffler	25/40	All	1	115001---
	Extension for speed muffler	40	DB	1	930120-05
50.70	High speed muffler	50	DB	1	115002---
	Double nipple for speed muffler	50	DB	1	930140-05
	Elbow for speed muffler	50	DB	1	930042-05
25.71	Hex. screw, SS	25	DB	12	900161411
40.71	Hex. screw, SS	40	DB	16	900163211
50.71	Hex. screw, SS	50	DB	16	60640818
40.72	Washer, SS	25/40	DB	12/16	902001111
50.72	Washer, SS	50	DB	16	902001511
25.73	Lock washer, SS	25/40	DB	12/16	902200311
50.73	Lock washer, SS	50	DB	16	902200611
25.74	Hex. Nut, SS	25	DB	12	901000211

# CRANE

## Spare part list DEPA Air Operated Diaphragm Pumps Series M

Date: 12th Sep. 2006

Type: DB25-50-CA/SA

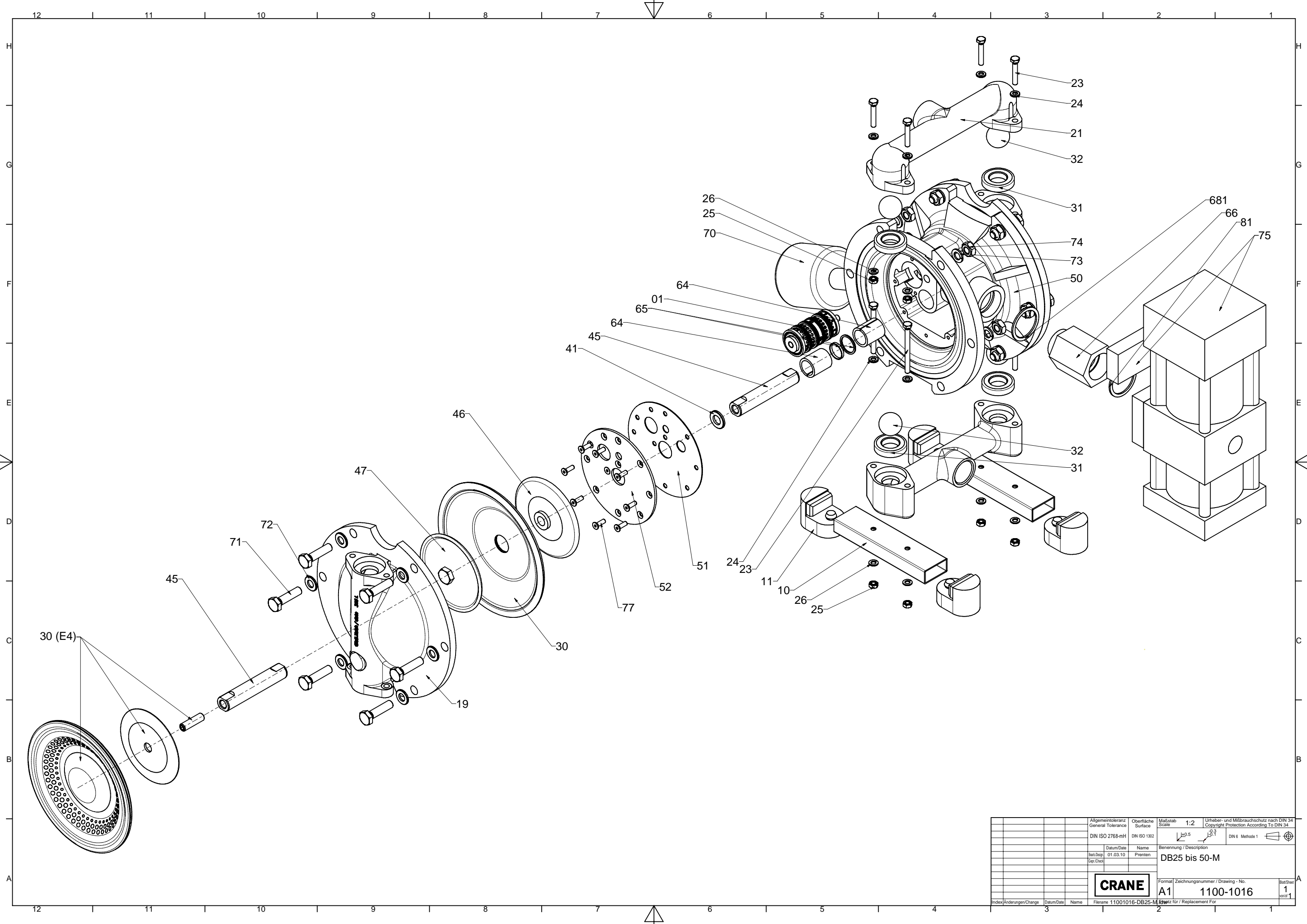
Drawing-No.: 03-1100-1016

Position Item	Description	Baugröße Size	Type	Stück No. Req.	Bestell-Nr. Order-No.
40.74	Hex. Nut, SS	40	DB	16	901000211
50.74	Hex. Nut, SS	50	DB	16	901000411
25.75	Pressure booster 21 bar	Alle	DB	1	2501095--
25.75	Pressure booster 16 bar	Alle	DB	1	2501093--
25.75	Pressure booster 13 bar	Alle	DB	1	2501094--
25.77	Counter sunk screw, SS	25/40	DB	18	900310211
50.77	Counter sunk screw, SS	50	DB	24	900310211
25.81	O-ring	Alle	DB	1	920012841

The complete spare part number results from the item and the order-no.

Example:

**Diaphragm EPDM for DB50: 50.30E,  
order no. 501801-42**



Allgemeintoleranz General Tolerance		Oberfläche Surface		Maßstab Scale		Urheber- und Missbrauchsschutz nach DIN 34 Copyright Protection According To DIN 34	
DIN ISO 2768-mH		DIN ISO 1302		1:2		DIN 6 Methode 1	
Datum/Date 01.03.10		Name Prenten		Benennung / Description DB25 bis 50-M			
Bsp./Disp. Bsp./Check				Formal Zeichnungsnummer / Drawing - No. A1 1100-1016			
Index/Änderungen/Change		Datum/Date		Name		Dateiname 11001016-DB25-M	
		3				Ersatz für / Replacement For	
						Bsp/Sheet 1 von/1	