



This manual contains important warnings and information.
READ AND KEEP FOR REFERENCE.

INSTRUCTIONS

First choice when quality counts.™

Rev. F
Supersedes Rev. E

Husky™ 715 Air-Operated Diaphragm Pump

100 psi (0.7 MPa, 7 bar) Maximum Fluid Working Pressure

100 psi (0.7 MPa, 7 bar) Maximum Air Input Pressure

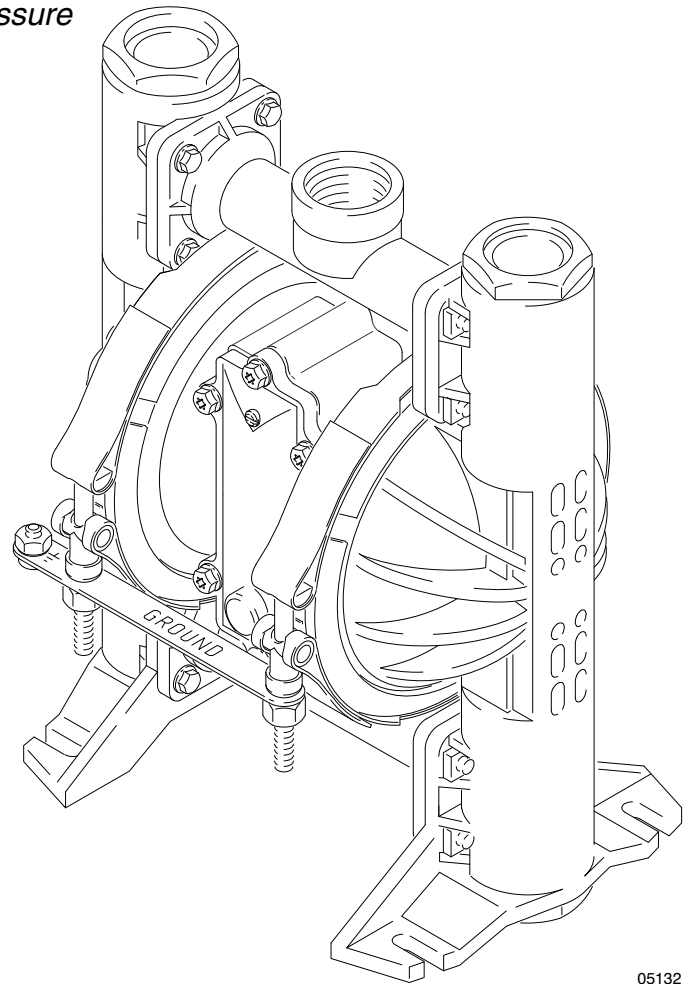
Part No. 237-586, Series D

Acetal Pump with dual inlet manifold and PTFE diaphragms

Part No. 237-587, Series D

Polypropylene Pump with dual inlet manifold and buna-N diaphragms

NOTE: REFER TO INSTRUCTION MANUAL 308-444 (SUPPLIED) FOR IMPORTANT SAFETY WARNINGS AND INSTALLATION, OPERATION, AND SERVICE INSTRUCTIONS.



05132

GRACO INC. P.O. BOX 1441 MINNEAPOLIS, MN 55440-1441
<http://www.graco.com>

©COPYRIGHT 1995, GRACO INC.
Graco Inc. is registered to I.S. EN ISO 9001

Parts

Ref. No.	Part No.	Description	Qty
1	189-531	HOUSING, center; aluminum	1
2†	187-706	COVER, air valve; polypropylene	1
3†	187-722	SPRING; sst	1
4†	187-853	STOP, link; acetal	1
5†	192-675	CUP, valve; acetal	1
6†	187-728	SPRING; sst	1
7†	187-730	COLLAR, detent; sst	1
8†	111-629	BALL, detent; carbide	1
9†	187-726	BEARING, link; acetal	1
10	112-545	SCREW, thread-forming; M5 x 0.8; 16 mm long	6
12	187-719	SEAL, plate, valve; buna-N	1
13	187-720	PLATE, valve; sst	1
14†	187-718	SADDLE, shift; acetal	1
15†	111-630	SCREW, thread-forming; 10-14 size; 0.75 in. (19 mm)	1
16†	187-724	LINK, actuator; sst	1
17†	188-175	SPACER, link; acetal	1
18†	111-750	WASHER, plain; sst	1
19†	111-624	O-RING; buna-N	1
20†	111-625	O-RING; buna-N	1
21†	187-727	SHAFT, reset; sst	1
22†	192-526	LINK, detent; sst	1
23	112-546	SCREW, machine; 4-40; 3/8" (10 mm) long	2
24	190-244	BEARING, link, lower	1
25†	111-920	GREASE, general purpose; 0.375 oz. (10.5 g); not shown	1
26	188-849	PIN, pilot	2
27	188-850	BEARING, pin	2
28	157-628	O-RING; buna-N	2
29●	191-780	SHAFT, diaphragm; sst	1
30●	113-704	O-RING; viton	2
31●	191-779	BEARING; acetal	2
101★	189-635	COVER, fluid; acetal	2
101◆	189-637	COVER, fluid; polypropylene	2
102★	237-038	MANIFOLD, outlet; acetal	1
102◆	237-039	MANIFOLD, outlet; polypropylene	1
103★	190-026	MANIFOLD, dual inlet; acetal	1
103◆	190-025	MANIFOLD, dual inlet; polypropylene	1

Ref. No.	Part No.	Description	Qty
104	108-630	SCREW; 10-24; 5/8 in. (16 mm)	16
105	108-947	NUT; 10-24	16
106★	185-040	PLUG; acetal	4
106◆	189-639	PLUG; polypropylene	4
107	187-821	STRIP, grounding	1
108	191-741	PLATE, air side; sst	2
109*	108-635	O-RING; PTFE®	4
110★	186-635	SPACER; acetal	4
110◆	186-409	SPACER; polypropylene	4
111*	110-636	O-RING; PTFE®	8
112★	187-711	PLATE, fluid side; acetal	2
112◆	187-712	PLATE, fluid side; polypropylene	2
113	189-540	CLAMP	2
114	112-499	NUT, clamp; 1/4-28	2
115▲	189-220	LABEL, warning	1
117	100-264	SCREW; 10-24; 0.31 in. (8 mm)	1
118	100-718	LOCKWASHER; no. 10	2
119	100-179	NUT, hex; 10-24	1
120	108-636	MUFFLER	1
201*★	186-691	GUIDE; acetal	4
201*◆	186-776	GUIDE; polypropylene	4
202*★	186-692	STOP; acetal	4
202*◆	186-777	STOP; polypropylene	4
301*★	108-639	BALL; PTFE	4
301*◆	108-944	BALL; buna-N	4
401*★	183-542	DIAPHRAGM, backup; polyurethane	2
401*◆	190-148	DIAPHRAGM; buna-N	2
404*★	108-839	DIAPHRAGM; PTFE	2

★ Used in Model 237-586 Acetal Pump only.

◆ Used in Model 237-587 Polypropylene Pump only.

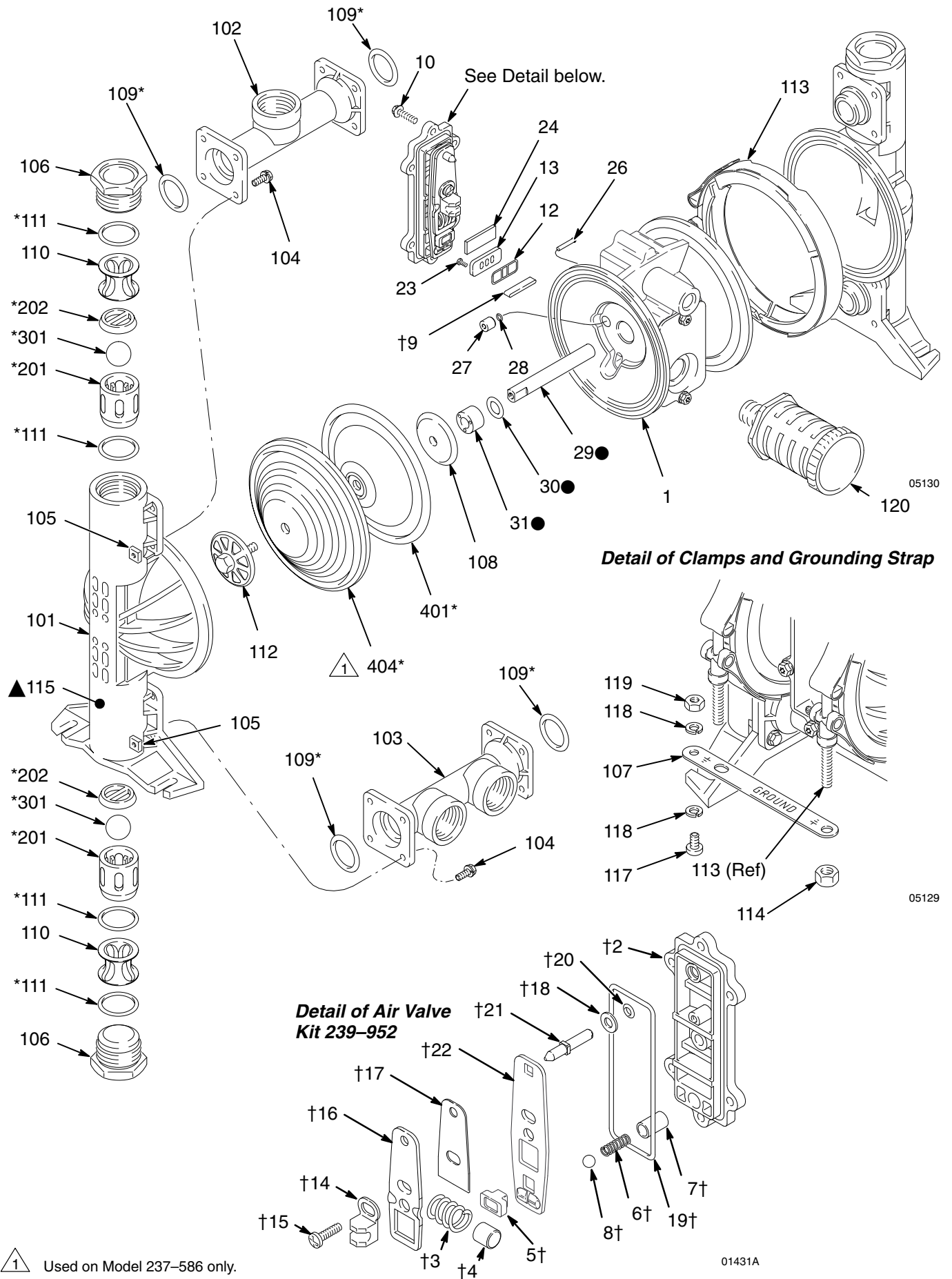
† These parts are included in Air Valve Kit 239-952, which may be purchased separately.

* These parts are included in the Fluid Section Repair Kit, which may be purchased separately. For 237-586 Pump, order D06-211; for 237-587 Pump, order D06-977.

▲ Replacement Danger and Warning labels, tags and cards are available at no cost.

● These parts are included in Diaphragm Shaft Kit 239-016, which may be purchased separately.

Parts



Technical Data

Refer to manual 308–444 (supplied) for Technical Data and Performance Charts. For wetted parts, refer to the Parts List on page 2.

Manual Change Summary

This manual went from Rev. E to Rev. F to change the pump Series to D. Series D changes include new part numbers for Ref. No. 5 and Ref. No. 22, and the Air Valve Kit has a new part number. See page 2.

Graco Standard Warranty

Graco warrants all equipment referenced in this document which is manufactured by Graco and bearing its name to be free from defects in material and workmanship on the date of sale by an authorized Graco distributor to the original purchaser for use. With the exception of any special, extended, or limited warranty published by Graco, Graco will, for a period of twelve months from the date of sale, repair or replace any part of the equipment determined by Graco to be defective. This warranty applies only when the equipment is installed, operated and maintained in accordance with Graco's written recommendations.

This warranty does not cover, and Graco shall not be liable for general wear and tear, or any malfunction, damage or wear caused by faulty installation, misapplication, abrasion, corrosion, inadequate or improper maintenance, negligence, accident, tampering, or substitution of non-Graco component parts. Nor shall Graco be liable for malfunction, damage or wear caused by the incompatibility of Graco equipment with structures, accessories, equipment or materials not supplied by Graco, or the improper design, manufacture, installation, operation or maintenance of structures, accessories, equipment or materials not supplied by Graco.

This warranty is conditioned upon the prepaid return of the equipment claimed to be defective to an authorized Graco distributor for verification of the claimed defect. If the claimed defect is verified, Graco will repair or replace free of charge any defective parts. The equipment will be returned to the original purchaser transportation prepaid. If inspection of the equipment does not disclose any defect in material or workmanship, repairs will be made at a reasonable charge, which charges may include the costs of parts, labor, and transportation.

THIS WARRANTY IS EXCLUSIVE, AND IS IN LIEU OF ANY OTHER WARRANTIES, EXPRESS OR IMPLIED, INCLUDING BUT NOT LIMITED TO WARRANTY OF MERCHANTABILITY OR WARRANTY OF FITNESS FOR A PARTICULAR PURPOSE.

Graco's sole obligation and buyer's sole remedy for any breach of warranty shall be as set forth above. The buyer agrees that no other remedy (including, but not limited to, incidental or consequential damages for lost profits, lost sales, injury to person or property, or any other incidental or consequential loss) shall be available. Any action for breach of warranty must be brought within two (2) years of the date of sale.

GRACO MAKES NO WARRANTY, AND DISCLAIMS ALL IMPLIED WARRANTIES OF MERCHANTABILITY AND FITNESS FOR A PARTICULAR PURPOSE, IN CONNECTION WITH ACCESSORIES, EQUIPMENT, MATERIALS OR COMPONENTS SOLD BUT NOT MANUFACTURED BY GRACO. These items sold, but not manufactured by Graco (such as electric motors, switches, hose, etc.), are subject to the warranty, if any, of their manufacturer. Graco will provide purchaser with reasonable assistance in making any claim for breach of these warranties.

In no event will Graco be liable for indirect, incidental, special or consequential damages resulting from Graco supplying equipment hereunder, or the furnishing, performance, or use of any products or other goods sold hereto, whether due to a breach of contract, breach of warranty, the negligence of Graco, or otherwise.

FOR GRACO CANADA CUSTOMERS

The parties acknowledge that they have required that the present document, as well as all documents, notices and legal proceedings entered into, given or instituted pursuant hereto or relating directly or indirectly hereto, be drawn up in English. Les parties reconnaissent avoir convenu que la rédaction du présente document sera en Anglais, ainsi que tous documents, avis et procédures judiciaires exécutés, donnés ou intentés à la suite de ou en rapport, directement ou indirectement, avec les procédures concernées.

Graco Phone Number

TO PLACE AN ORDER, contact your Graco distributor, or call this number to identify the distributor closest to you:
1–800–367–4023 Toll Free

*All written and visual data contained in this document reflects the latest product information available at the time of publication.
Graco reserves the right to make changes at any time without notice.*

Sales Offices: Minneapolis, Detroit, Los Angeles
Foreign Offices: Belgium, Canada, England, Korea, France, Germany, Hong Kong, Japan

GRACO INC. P.O. BOX 1441 MINNEAPOLIS, MN 55440–1441

<http://www.graco.com>

PRINTED IN U.S.A. 308–557 June 1995, Revised September 1997