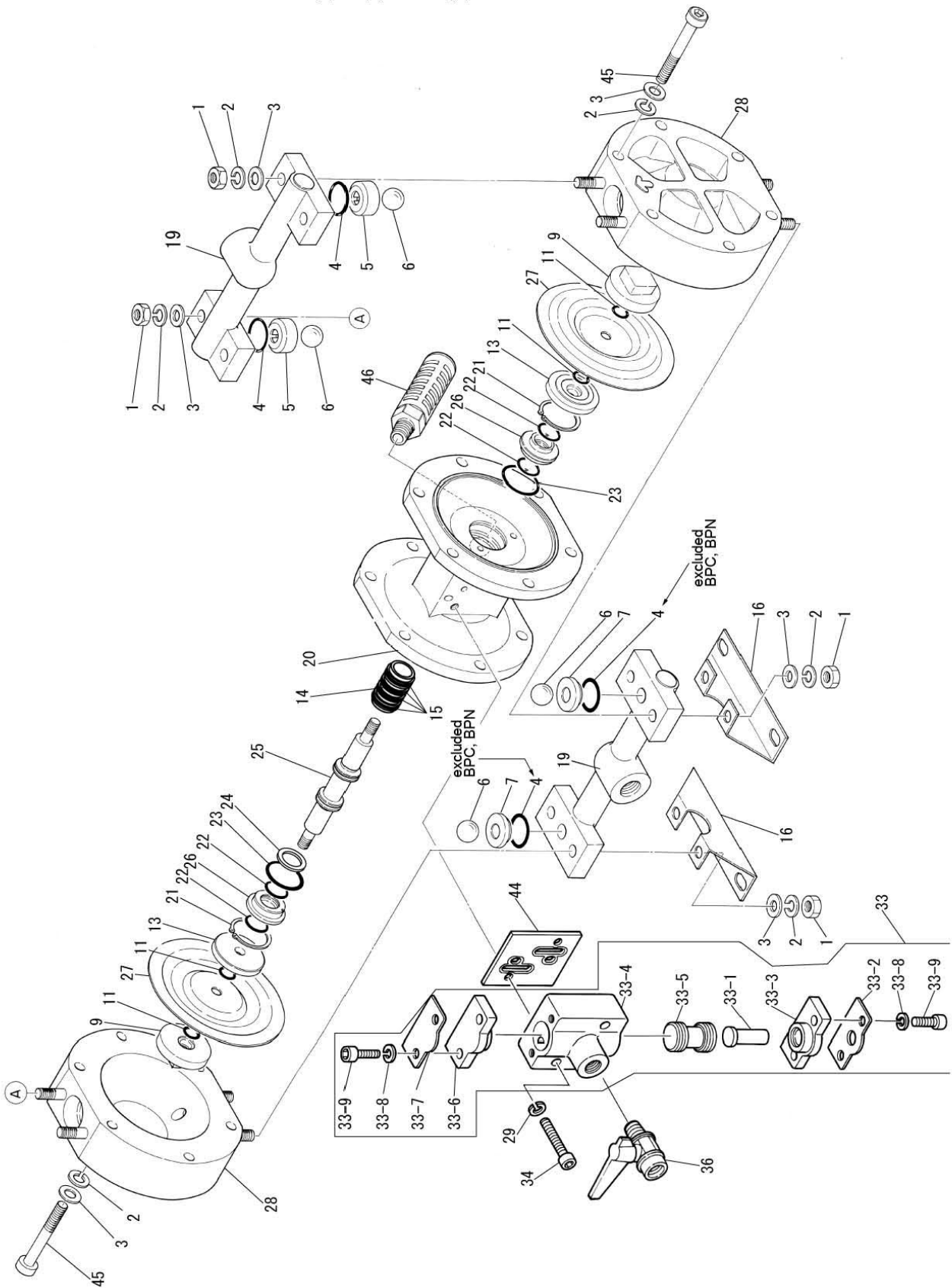


Fluid contact Portion : Polypropylene type



Ref.No.	Parts No.	Description	Parts Component	Remark	Order Qty
1	628012	NUT	8		
2	681300	SPRING LOCK WASHER	20		
3	631329	PLAIN WASHER	20		
4	640018	O RING	2		
5	771136	VALVE STOPPER	2		
6	770970	BALL	4		
7	770975	VALVE SEAT	2		
9	770968	CENTER DISK	2		
11	640005	O RING	4		
13	708770	CENTER DISK	2		
14	714678	SLEEVE	1		
15	684900	O RING	4		
16	708511	PUMP BASE	2		
19	771864	PLUG	2	This is not available individually. Please order 831291 MANIFOLD ASSY (Parts Component 2).	
	780002	MANIFOLD	2		
20	715106	BODY	1		
21	630807	RETAINING RING R TYPE	2		
22	684284	PACKING	4		
23	640131	O RING	2		
24	772651	SPACER	1		
25	708501	CENTER ROD	1	This is not available individually. Please order 801785 CENTER ROD ASSY (Parts Component 1).	
25,33-5	681294	SLIPPER SEAL	4	This is not available individually. Please order 801785 CENTER ROD ASSY (Parts Component 1) or 801404 C-SPOOL ASSY (Parts Component 1).	
26	772619	GUIDE BUSH	2		
27	770971	DIAPHRAGM	2		
28	780194	OUT CHAMBER	2		
29,33-8	681855	SPRING LOCK WASHER	6		
33-1	706798	PUSH ROD	1		
33-2	710587	REINFORCEMENT PLATE A	1		
33-3	771357	CAP	1		
33-4	710574	SPOOL VALVE CASE	1		
33-5	770718	SPOOL	1	This is not available individually. Please order 801404 SPOOL ASSY (Parts Component 1).	
33-6	771356	CAP	1		
33-7	710636	REINFORCEMENT PLATE B	1		
33-9	682943	HEXAGON SOCKET HEAD BOLT	4		
34	682918	HEXAGON SOCKET HEAD BOLT	2		
36	682771	BALL VALVE	1		
44	771358	GASKET	1		
45	682945	HEXAGON SOCKET HEAD BOLT	12		
46	681293	SILENCER	1		

NOTE 1)The parts of #33(Exploded View 2) are available with a set as "804504 Valve Body Assy". This is also available individually.
 2)DP-10BPH、BPS don't use No.11"O-ring"