

# CRANE

## Spare part list DEPA Air Operated Diaphragm Pumps P

Date: 10th Aug 2012

Type: DL15-PM

Drawing-No.: 03-1215-1010

Position	Description	Baugröße / Size	Type	Stück / No. Req.	Bestell-Nr./ Order-No.
15.01	Air valve, internal	15	All	1	2501053--
15.01V	Air valve, internal, nickel plated	15	All	1	250105399
15.02P	Center block, assy.	15	PM	1	150506---
15.02PVe	Center block, assy., n. plated Air va.	15	PM	1	150506-99
15.11	Rubber foot	15	PM	4	150191441
15.12	Washer	15	PM	4	902050111
15.13	Bolt	15	PM	4	900111311
15.14PM	Suction manifold, 1/2" female	15	PM	1	151631-50
15.17	Lockwasher	15	PM	4	902200111
15.18P	Long nut	15	PM	4	901200111
15.19PM	Pump chamber, PM	15	PM	2	151634-50
15.21PM	Discharge manifold, 1/2" Female	15	PM	1	151632-50
15.23P	Anchor bolt	15	PM	4	151910-11
15.24P	Washer	15	PM	8	902050111
15.25P	Cap nut	15	PM	4	901110111
15.27	Clamp band, assy.	15	PM	2	150609---
15.30N	Diaphragm, NBR-el.cond.	15	All	2	151801-4B
15.30E	Diaphragm, EPDM	15	All	2	151801-42
15.30G	Diaphragm, EPDM-grey	15	All	2	151801-43
15.30F	Diaphragm, FKM	15	All	2	151801-44
15.30B	Diaphragm, NRS	15	All	2	151803-45
15.30S	Diaphragm, Santoprene	15	All	2	151804-4C
15.30TR	Diaphragm, PTFE/Back up	15	All	2	150180165
15.31N	Valve seat, NBR	15	PM	4	151805-41
15.31E	Valve seat, EPDM	15	PM	4	151805-42
15.31G	Valve seat, EPDM-grey	15	PM	4	151805-43
15.31F	Valve seat, FKM	15	PM	4	151805-44
15.31B	Valve seat, NRS	15	PM	4	151805-45
15.31T	Valve seat, PTFE, with 2 O-rings	15	PM	4	150180960
15.32T	Valve ball, PTFE	15	All	4	151810-62
15.32R	Valve ball, SS	15	All	4	151810-13
15.32K	Valve ball, cearamic	15	All	4	151810-95
15.45	Shaft, with seal + O-ring	15	All	1	150120710
15.46P	Piston, inner	15	All	2	151208-50
15.47P	Piston, outer, PP	15	PM	2	151211-50
15.50P	Center block	15	PM	1	151301-50
15.50PL	Center block, el.cond.	15	PM	1	151301-57
15.51	Gasket-Center block cover	15	All	2	921100370
15.64	Shaft bearing	15	All	1	151206-64
15.65	O-ring, Shaft bearing	15	All	2	920015141

# CRANE

## Spare part list DEPA Air Operated Diaphragm Pumps P

Date: 10th Aug 2012

Type: DL15-PM

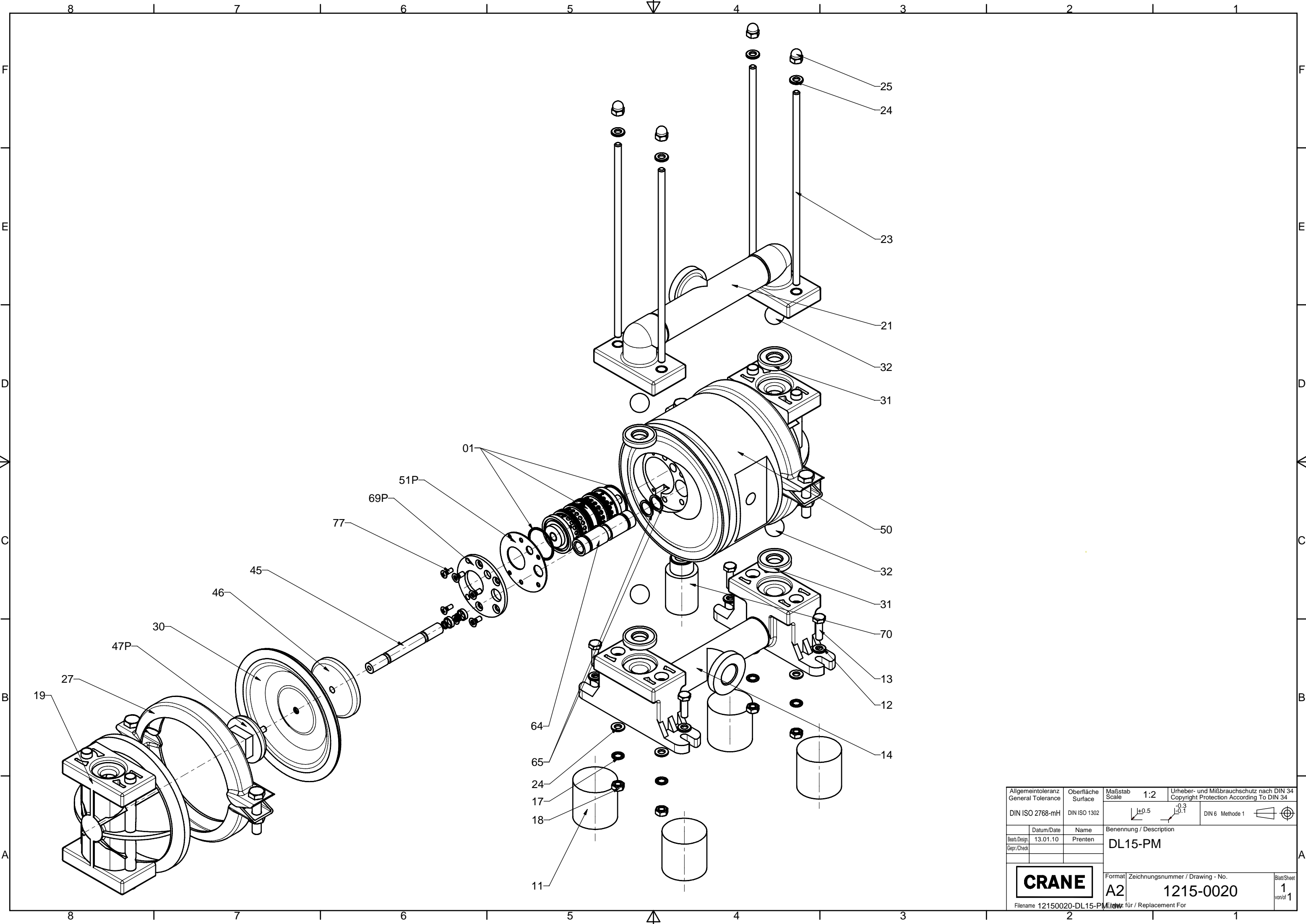
Drawing-No.: 03-1215-1010

Position	Description	Baugröße / Size	Type	Stück / No. Req.	Bestell-Nr./ Order-No.
15.69	Center block cover	15	All	2	151302-11
15.70	Muffler, white	15	All	1	152020-48
15.77a	Counter sunk screw/Center block cover	15	All	8	900310111
15.77b	Counter sunk screw/Center block cover	15	All	4	900250111

The complete spare part number results from  
the item and the order-no.

Example:

**Diaphragm EPDM 15.30E,  
order no. 151801-42**



Allgemeintoleranz General Tolerance		Oberfläche Surface		Maßstab Scale		1:2		Urheber- und Mißbrauchschutz nach DIN 34 Copyright Protection According To DIN 34	
DIN ISO 2768-mH		DIN ISO 1302		±0.5		-0.3 -0.1		DIN 6 Methode 1	
Datum/Date		Name		Benennung / Description					
13.01.10		Prenten		DL15-PM					
Gepr./Check									
<div style="border: 1px solid black; padding: 5px; display: inline-block;"><b>CRANE</b></div>		Format		Zeichnungsnummer / Drawing - No.				Blatt/Sheet	
		A2		1215-0020				1 von/1	
Filename 12150020-DL15-PM View für / Replacement For									